



KEY FEATURES

- ▶ Temperature and fan monitoring
- ▶ Up to 3 x 5.25" and 3 x 3.5" drive bays
- ▶ Lockable front panel designed to IP54
- ▶ Polished stainless steel housing
- ▶ Extruded Aluminium Alloy front Panel
- ▶ Dual front cooling and optional back system fans
- ▶ Air filter 30 PPI (changeable)
- ▶ Shock mounted drive cage
- ▶ Easy filter access

Ultima 4U chassis

The Ultima is a premium, semi-customisable chassis for applications requiring a superior industrial platform. The stainless steel chassis is as durable as it is attractive; its polished lines reflect Blue Chip Technology's reputation for outstanding quality and design. Available in 2U and 4U builds, Ultima has a range of ATX and PICMG expansion options.

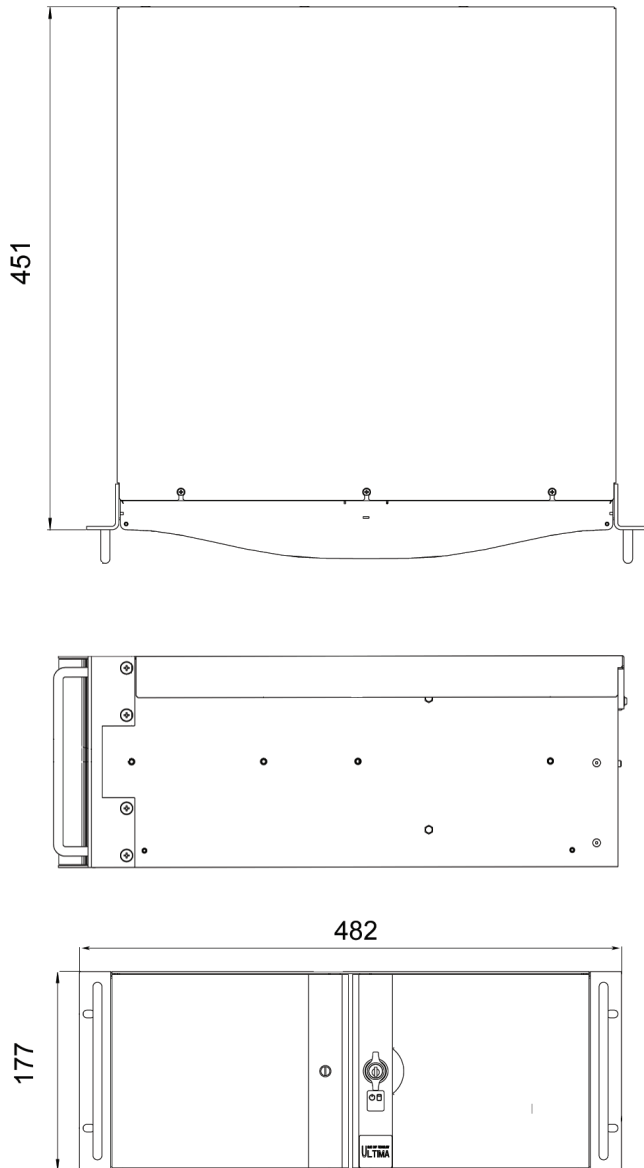
The lockable front panel sealed to IP54 is equipped with up to three 5.25 externally accessible drive bays and one floppy. Two USB 2.0 ports and the Power/Reset button is located on the unit front for easy access. The system interior features card support guides and clamps, shock mounted drive bay cages. The plug-in fan option and top cover facilitate unit configuration, installation and maintenance. The unit also supports CPU diagnostics, which monitor internal temperatures and voltage rails.

Designed and manufactured in the UK – the chassis can be adapted to accommodate specific customer requirements. Ultima can be specified for enhanced system redundancy, extended operating temperatures, intensive processing and industry specific regulations.

CUSTOM OPTIONS

- ▶ ISA support for legacy investment
- ▶ Custom warranty options and spares management
- ▶ Xeon processing
- ▶ Extended operating temperature ranges
- ▶ LS0H designs for rail applications
- ▶ System redundancy - PSU, RAID, hot swap caddies
- ▶ Quiet PC design
- ▶ Colour finish and branding

ULTIMA 4U CHASSIS TECHNICAL SPECIFICATION



EXPANSION OPTIONS

- ▶ ATX - PCI Express x 16, 2 PCI Express x1, 4 PCI
- ▶ PICMG 1.0 - 12 PCI, 3 ISA, 2 PICMG or 7 PCI, 7 ISA, 2 PICMG
- ▶ PICMG 1.3 - 1 PCI Express x 16, 3 PCI Express x 1, 8 PCI

SYSTEM DRIVES

- ▶ 2 internal 3.5" drive bays
- ▶ 1 external 3.5" drive bay
- ▶ 3 external 5.25" drive bays

APPROVALS

- ▶ EMC Emissions EN55022 (A)
- ▶ EMC Immunity EN55024
- ▶ Safety EN60950

ENVIRONMENTALS

- ▶ Protection rating - Dust/Water Front Panel designed to IP54
- ▶ Temperature (operating) - Up to 50°C* depending on processor and cooling configurations
- ▶ Temperature (storage) -20°C to 70°C
- ▶ Altitude (operating) -200m to 3000m
- ▶ Shock (operating) - 5G (11ms, 1/2 sine waves)
- ▶ Vibration (operating) :
 - 1.5G or less (10 - 100Hz, 1 octave/min. sweep rate)
 - 1.0G or less (100 - 200Hz, 1 octave/min. sweep rate)
 - 0.5G or less (200 - 600Hz, 1 octave/min. sweep rate)

POWER

- ▶ 300W
- ▶ 400W
- ▶ 300W hotswappable dual module
- ▶ 300W 24v