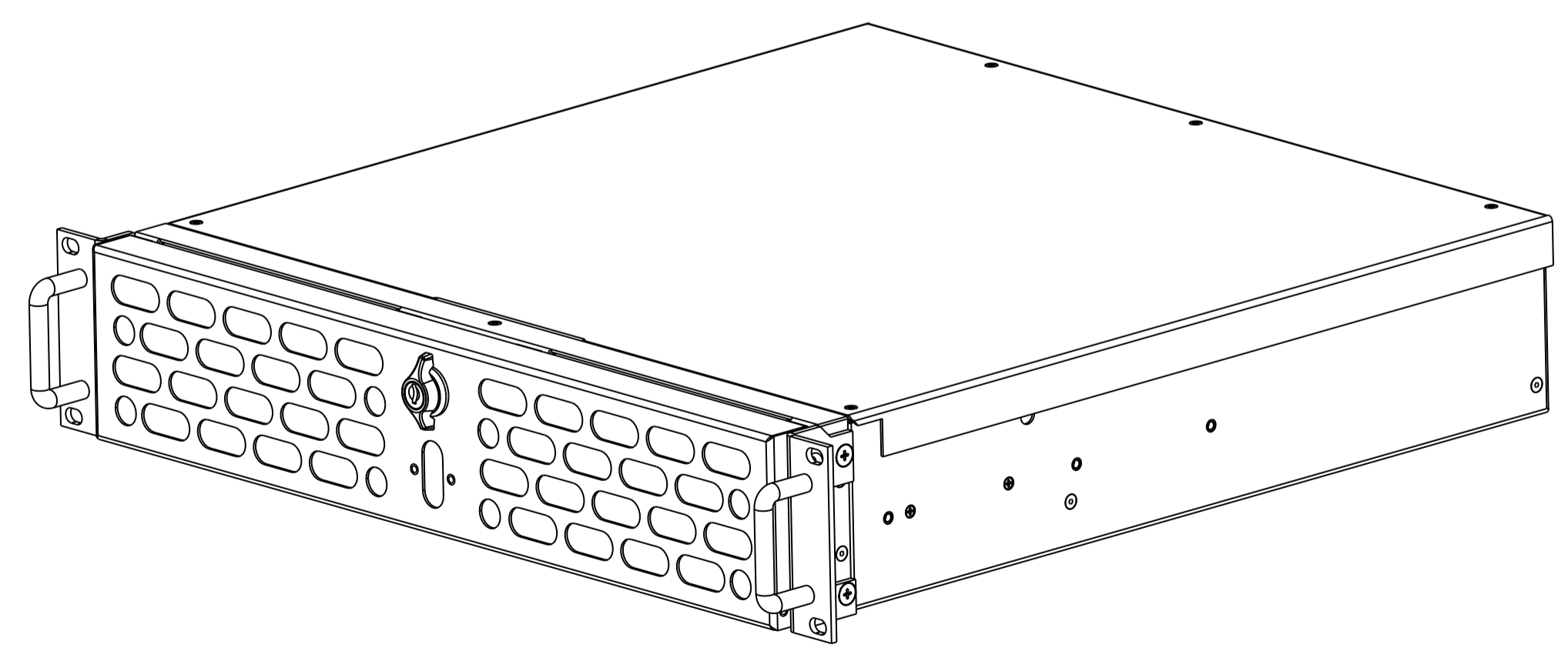
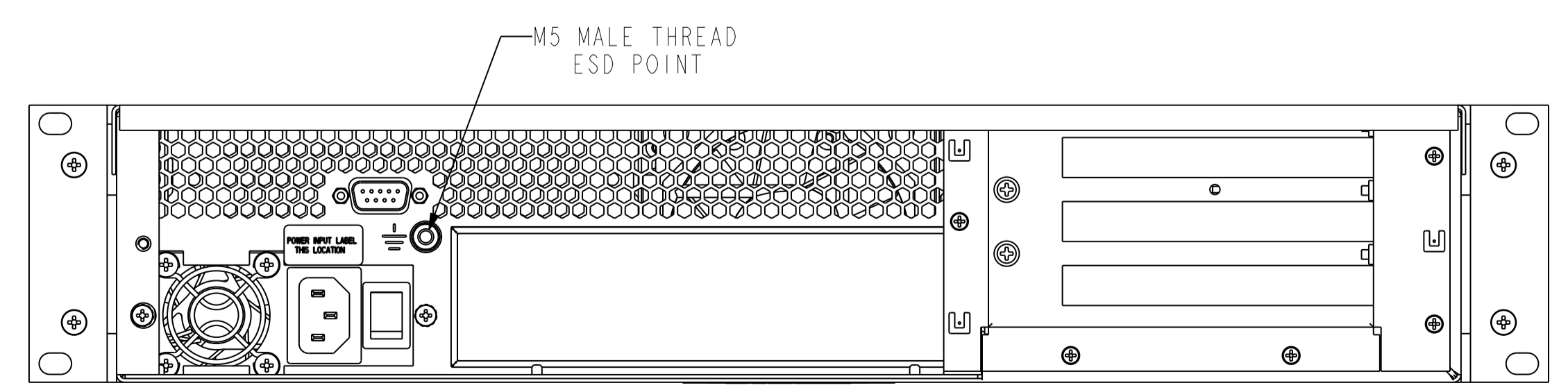
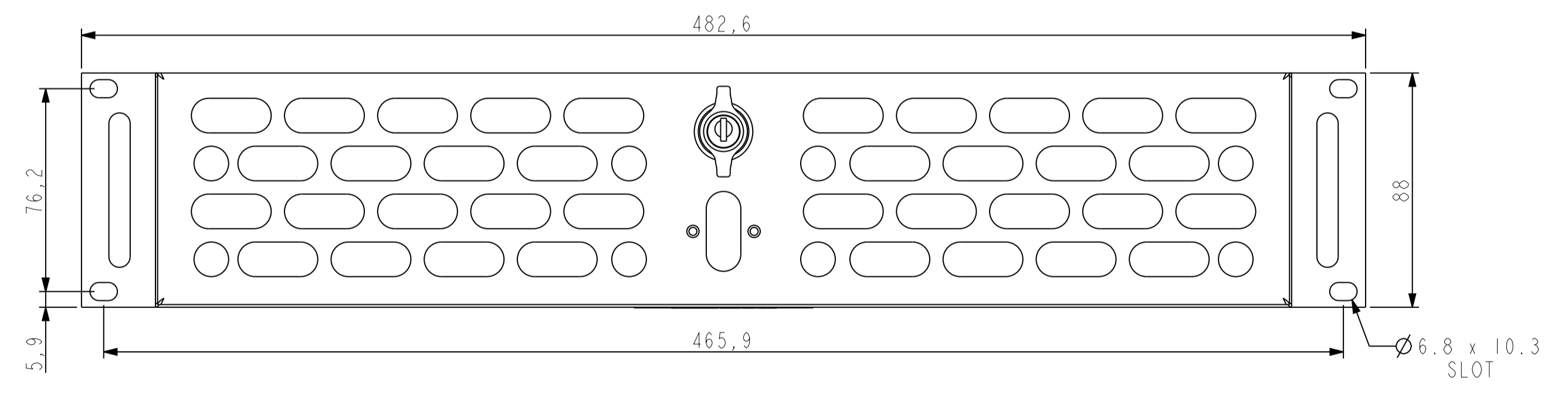
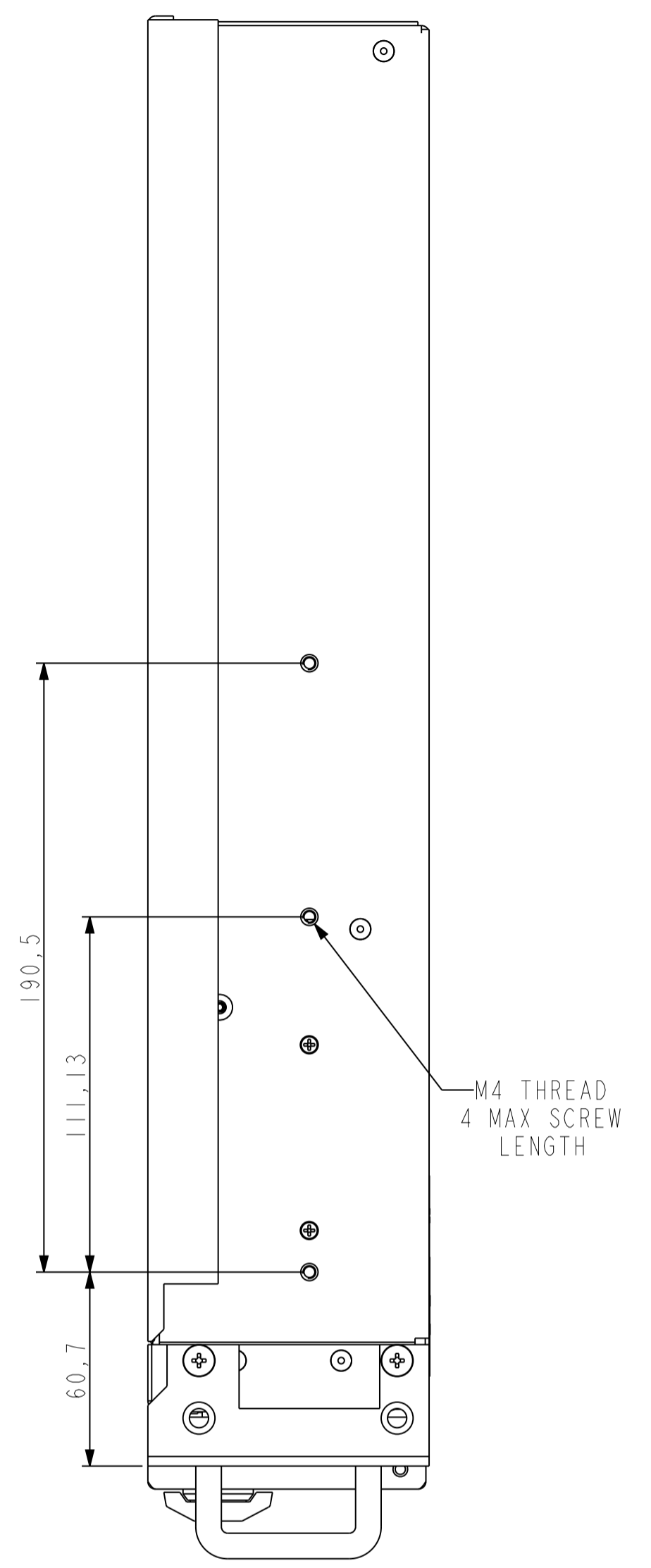
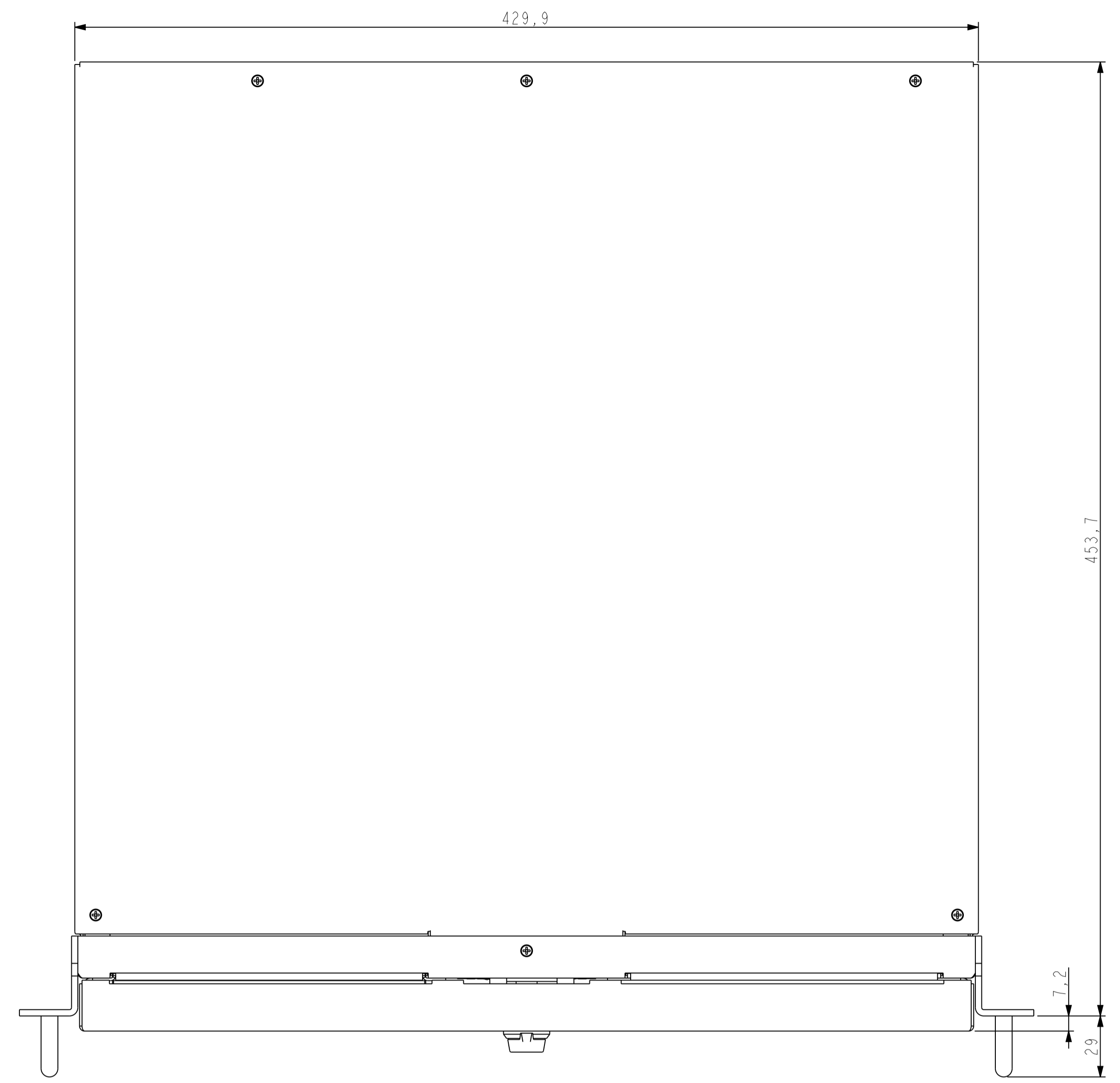


DWG. No. 00002670A00D1 SHT 1 OF 1  
 MODEL REF.#.155  
 00002670A00\_1

THIRD ANGLE



24/09/08	1	NEW DRG CUSTOMER RELEASE REF ECK2008.056			
DATE	ISS	MOD. REF.	DWN.	CHK.	APP.
USED ON		DELTA 2U			
DO NOT SCALE IF IN DOUBT ASK					
MATERIAL		--			
FINISH		--			

BLUE CHIP TECHNOLOGY		DWN. R.TAYLOR	24/09/08	TITLE
		CHECK J.BINGHAM	24/09/08	PRODUCT OUTLINE
		APP. --	--	
SCALED @ A1	TOL ±0.2	DRG. No.	00002670A00D1 SHT 1 OF 1	
DIMENSIONS IN MILLIMETRES		A1		

CHOWLEY OAK, TATTENHALL, CHESTER, CHESHIRE, CH3 9EX  
 TEL : 01829 772000 FAX : 01829 772001  
 E-mail : @BLUECHIPTECHNOLOGY.CO.UK

○ SYMBOL INDICATES CRITICAL INSPECTION DIMENSION